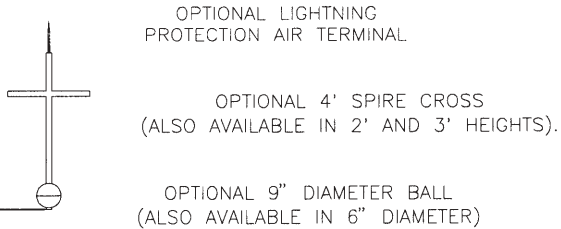
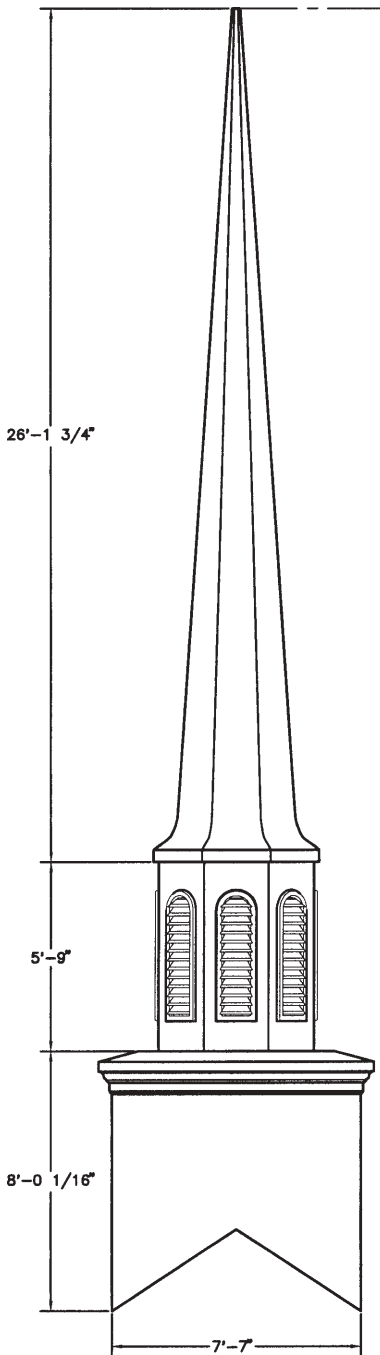


Steeple #7

figure - 1

DESIGN PARAMETERS

The unit described in these drawings is engineered to adequately support the loads created by a wind velocity of 120 MPH at a height of 50 feet above ground using ACSCE 7-95 exposure category "C". An additional 2 feet in height was added to the base during these calculations to account for variations in roof pitch, etc.



ALL UNITS WERE ENGINEERED WITH A 4' CROSS AND 9"Ø BALL INSTALLED PER FIBERGLASS SPECIALTIES, INC. STANDARD MOUNTING PROCEDURES.

SPIRE UNIT #728

CUPOLA UNIT #701 WITH VENTED LOUVERS
(ALSO AVAILABLE WITH FALSE LOUVERS AND KRINKLGLAS® WINDOWS)

BASE CUPOLA UNIT #703

1 ELEVATION
E1

12
VERIFY
ROOF
PITCH

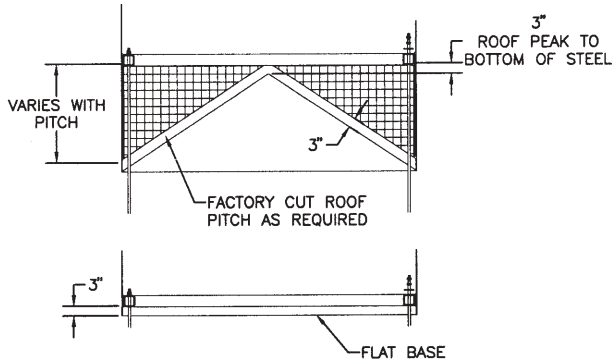
Dimensions and details are subject to change without notice. All cupola and steeple units are fabricated using minimal standing seams unless otherwise noted. All cupola and steeple units are designed to be erected on a completed roofing system and are not guaranteed to be leak proof.

Steeple #7

figure - 2

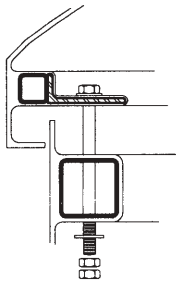
DESIGN PARAMETERS

The unit described in these drawings is engineered to adequately support the loads created by a wind velocity of 120 MPH at a height of 50 feet above ground using ACSCE 7-95 exposure category "C". An additional 2 feet in height was added to the base during these calculations to account for variations in roof pitch, etc.



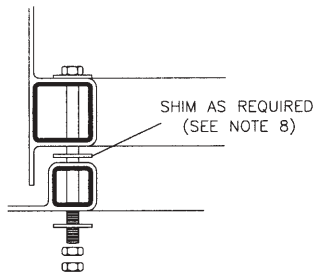
5
S1

BASE DETAILS



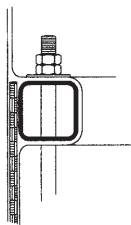
4
S1

BOLTING DETAIL



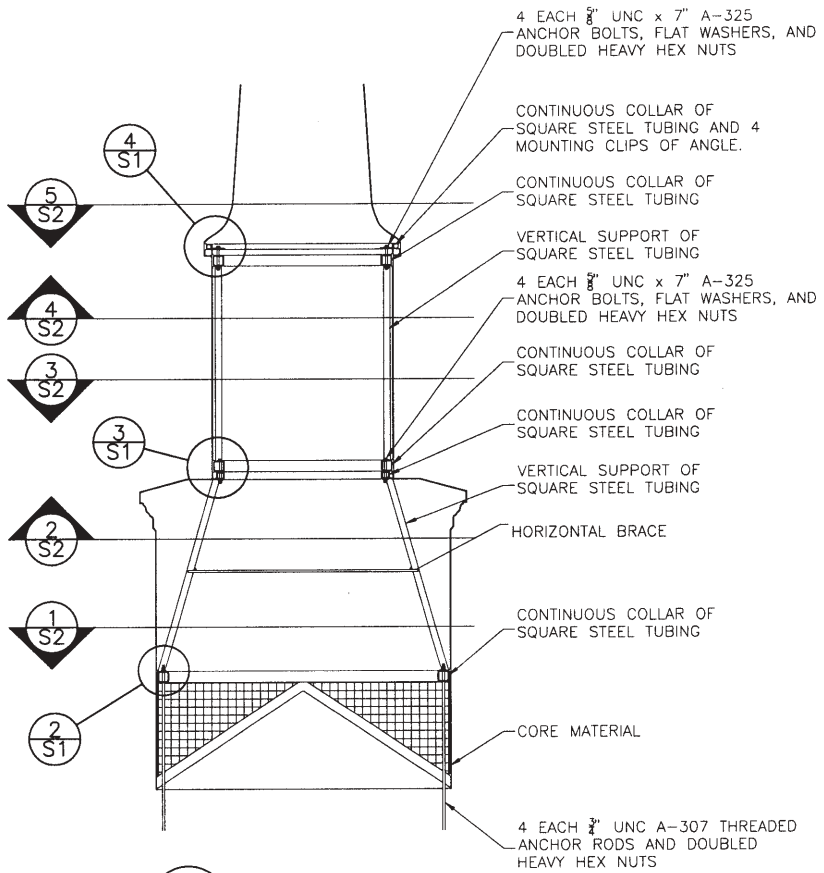
3
S1

BOLTING DETAIL



2
S1

ANCHOR DETAIL



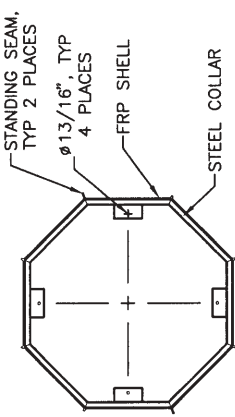
1
S1

FULL SECTION

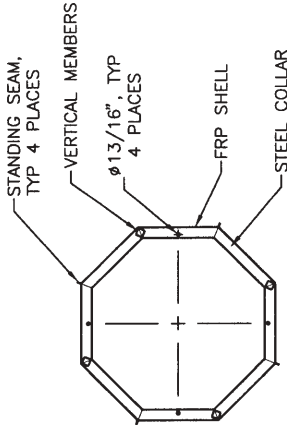
Steeple #7

figure - 3

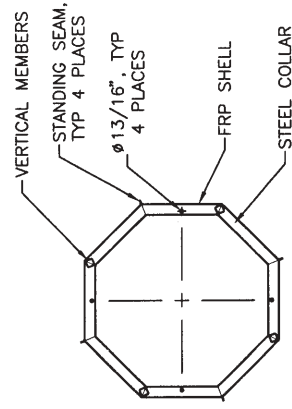
DESIGN PARAMETERS
 The unit described in these drawings is engineered to adequately support the loads created by a wind velocity of 120 MPH at a height of 50 feet above ground using ACSCE 7-95 exposure category "C". An additional 2 feet in height was added to the base during these calculations to account for variations in roof pitch, etc.



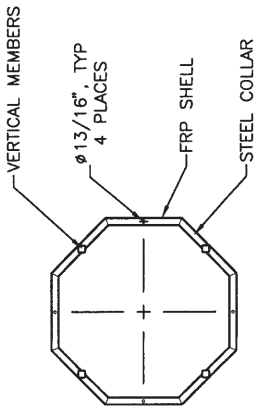
5 BASE OF SP-728
 PLAN VIEW
 S2



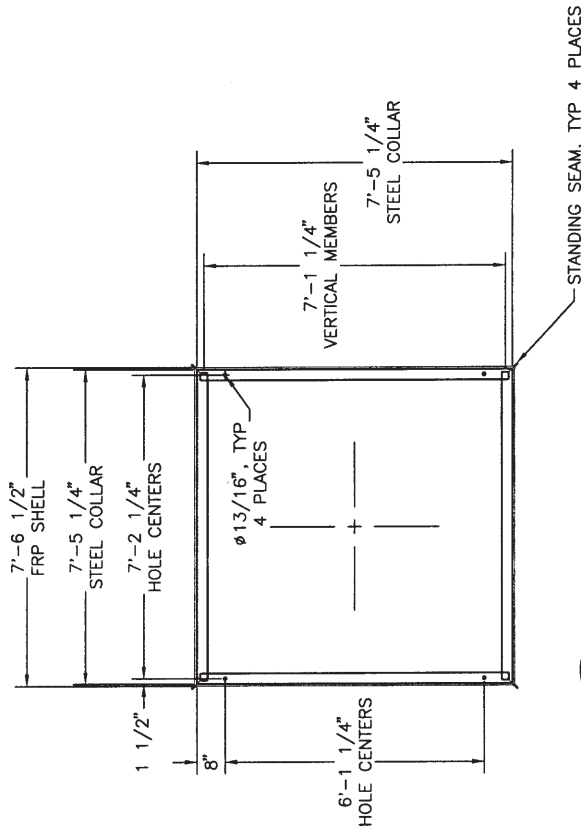
4 TOP OF CU-701
 REFLECTED VIEW
 S2



3 BASE OF CU-701
 PLAN VIEW
 S2



2 TOP OF CU-703
 REFLECTED VIEW
 S2



1 BASE OF CU-703
 PLAN VIEW
 S2

Dimensions and details are subject to change without notice. All cupola and steeple units are fabricated using minimal standing seams unless otherwise noted. All cupola and steeple units are designed to be erected on a completed roofing system and are not guaranteed to be leak proof.