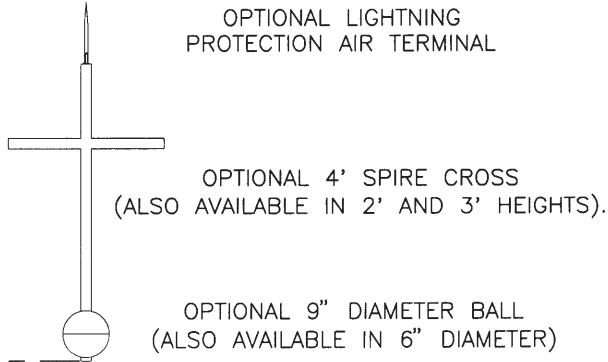
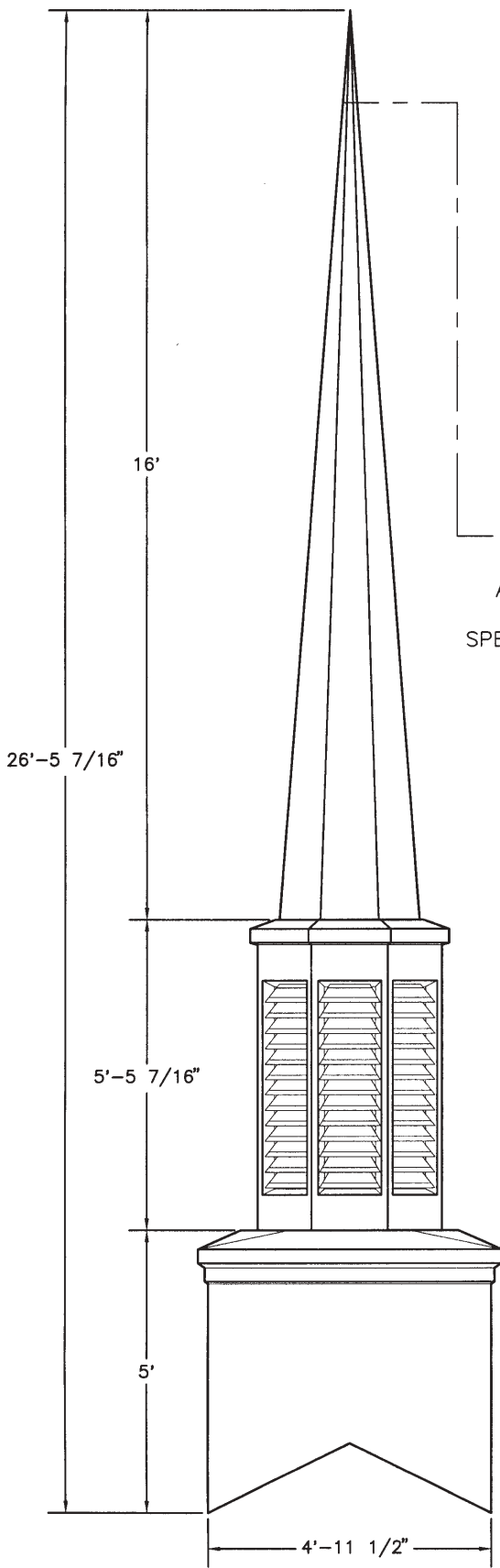


# Steeple #5

figure - 1

**DESIGN PARAMETERS**  
 The unit described in these drawings is engineered to adequately support the loads created by a wind velocity of 120 MPH at a height of 50 feet above ground using ACSCE 7-95 exposure category "C". An additional 2 feet in height was added to the base during these calculations to account for variations in roof pitch, etc.



ALL UNITS WERE ENGINEERED WITH A 4' CROSS AND 9"Ø BALL INSTALLED PER FIBERGLASS SPECIALTIES, INC. STANDARD MOUNTING PROCEDURES.

SPIRE UNIT #616

CUPOLA UNIT #602 WITH SQUARE TOP VENTED LOUVERS (ALSO AVAILABLE WITH KRINKLGLAS® WINDOWS)

BASE CUPOLA UNIT #604

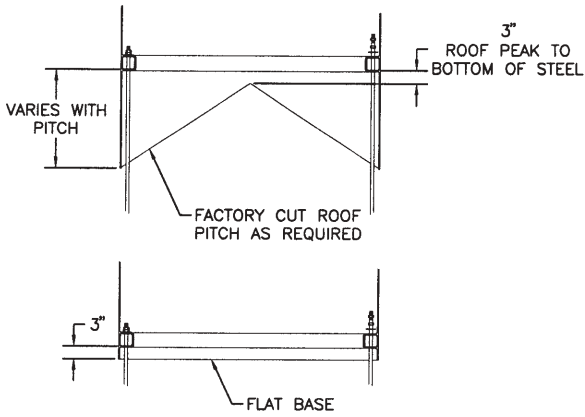
12  
 ? SPECIFY ROOF PITCH & STYLE

Dimensions and details are subject to change without notice. All cupola and steeple units are fabricated using minimal standing seams unless otherwise noted. All cupola and steeple units are designed to be erected on a completed roofing system and are not guaranteed to be leak proof.

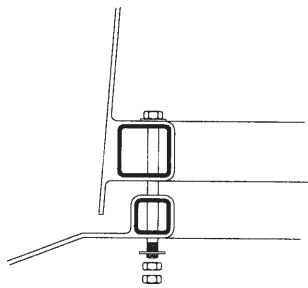
# Steeple #5

figure - 2

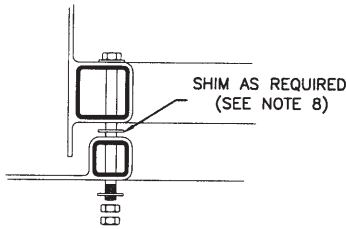
**DESIGN PARAMETERS**  
 The unit described in these drawings is engineered to adequately support the loads created by a wind velocity of 120 MPH at a height of 50 feet above ground using ACSCE 7-95 exposure category "C". An additional 2 feet in height was added to the base during these calculations to account for variations in roof pitch, etc.



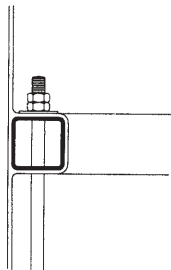
5 BASE DETAILS  
S1



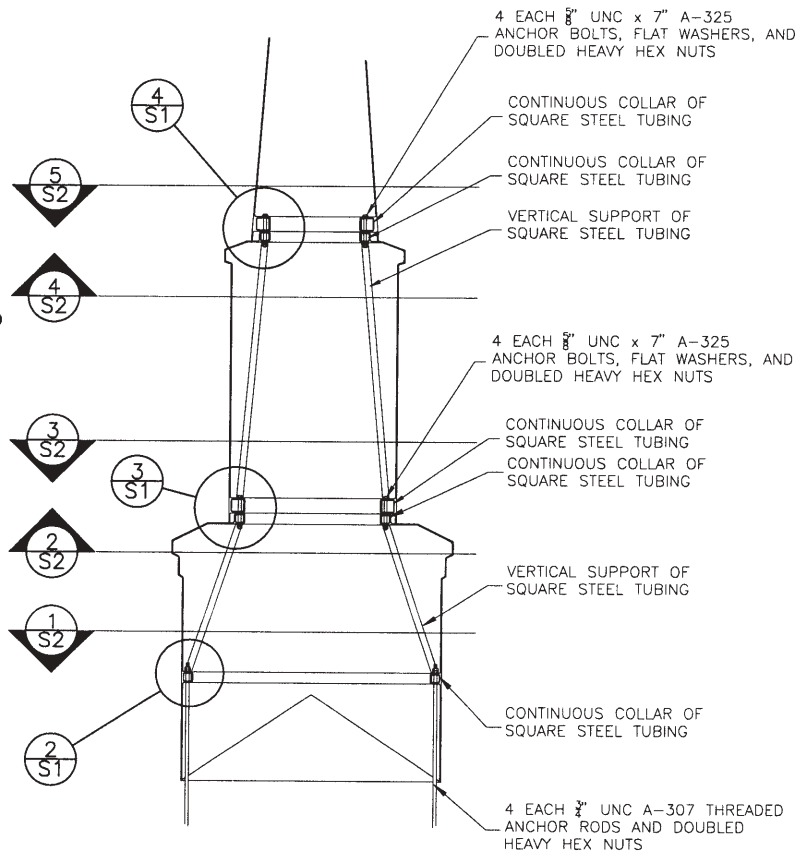
4 BOLTING DETAIL  
S1



3 BOLTING DETAIL  
S1



2 ANCHOR DETAIL  
S1

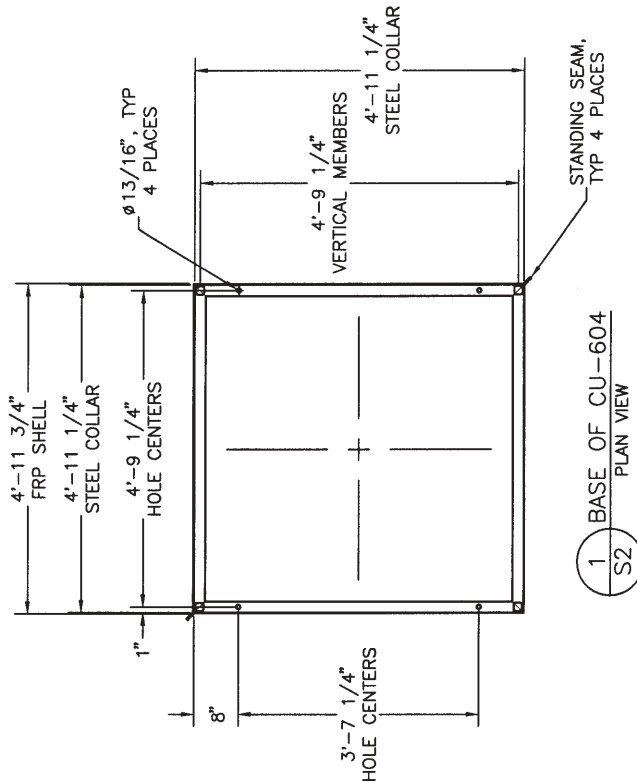
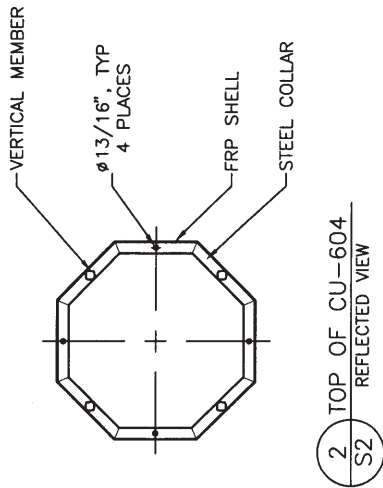
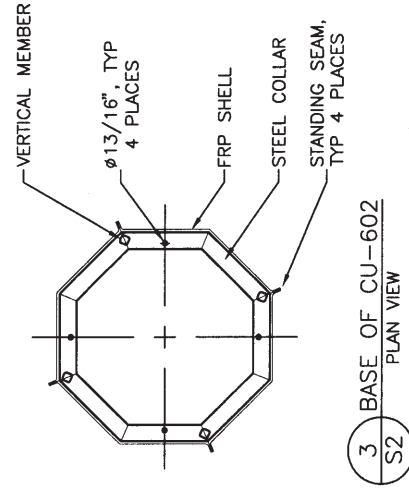
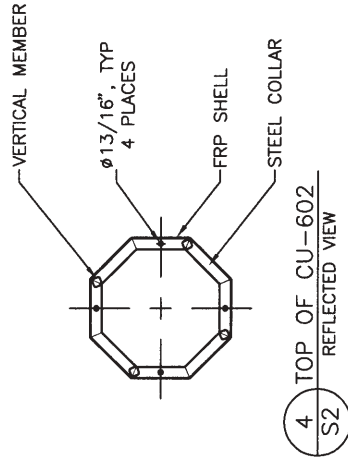
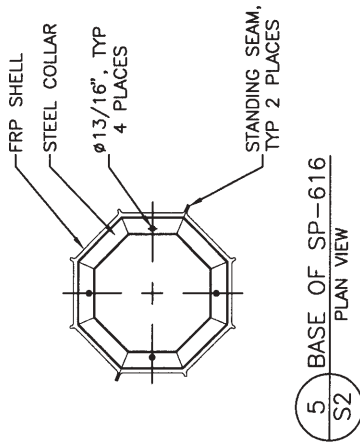


1 FULL SECTION  
S1

# Steeple #5

figure - 3

**DESIGN PARAMETERS**  
 The unit described in these drawings is engineered to adequately support the loads created by a wind velocity of 120 MPH at a height of 50 feet above ground using ACSCE 7-95 exposure category "C". An additional 2 feet in height was added to the base during these calculations to account for variations in roof pitch, etc.



Dimensions and details are subject to change without notice. All cupola and steeple units are fabricated using minimal standing seams unless otherwise noted. All cupola and steeple units are designed to be erected on a completed roofing system and are not guaranteed to be leak proof.