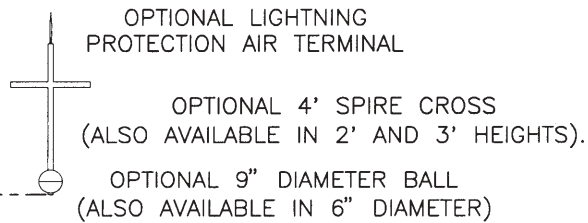
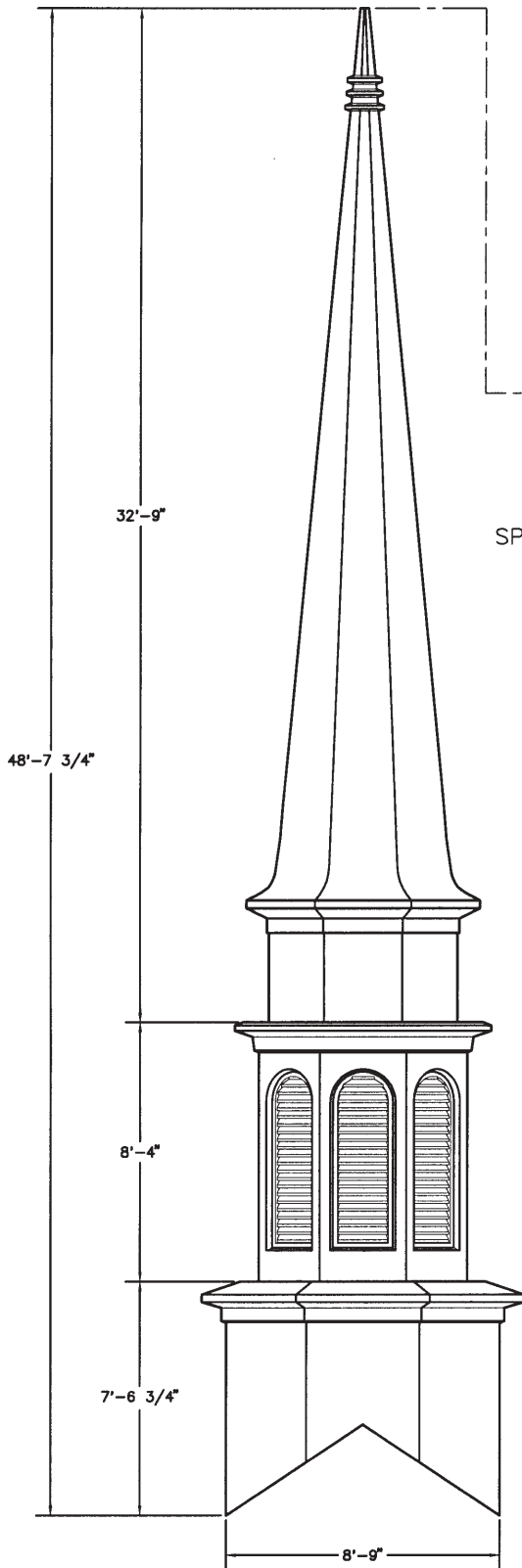


Steeple #12

figure - 1

DESIGN PARAMETERS
 The unit described in these drawings is engineered to adequately support the loads created by a wind velocity of 120 MPH at a height of 50 feet above ground using ACSCE 7-95 exposure category "C". An additional 2 feet in height was added to the base during these calculations to account for variations in roof pitch, etc.



ALL UNITS WERE ENGINEERED WITH A 4' CROSS AND 9"Ø BALL INSTALLED PER FIBERGLASS SPECIALTIES, INC. STANDARD MOUNTING PROCEDURES.

SPIRE UNIT #1032

CUPOLA UNIT #1050 WITH VENTED LOUVERS (ALSO AVAILABLE WITH KRINKLGLAS® WINDOWS)

CUPOLA UNIT #1075

12
 ? SPECIFY ROOF PITCH & TYPE

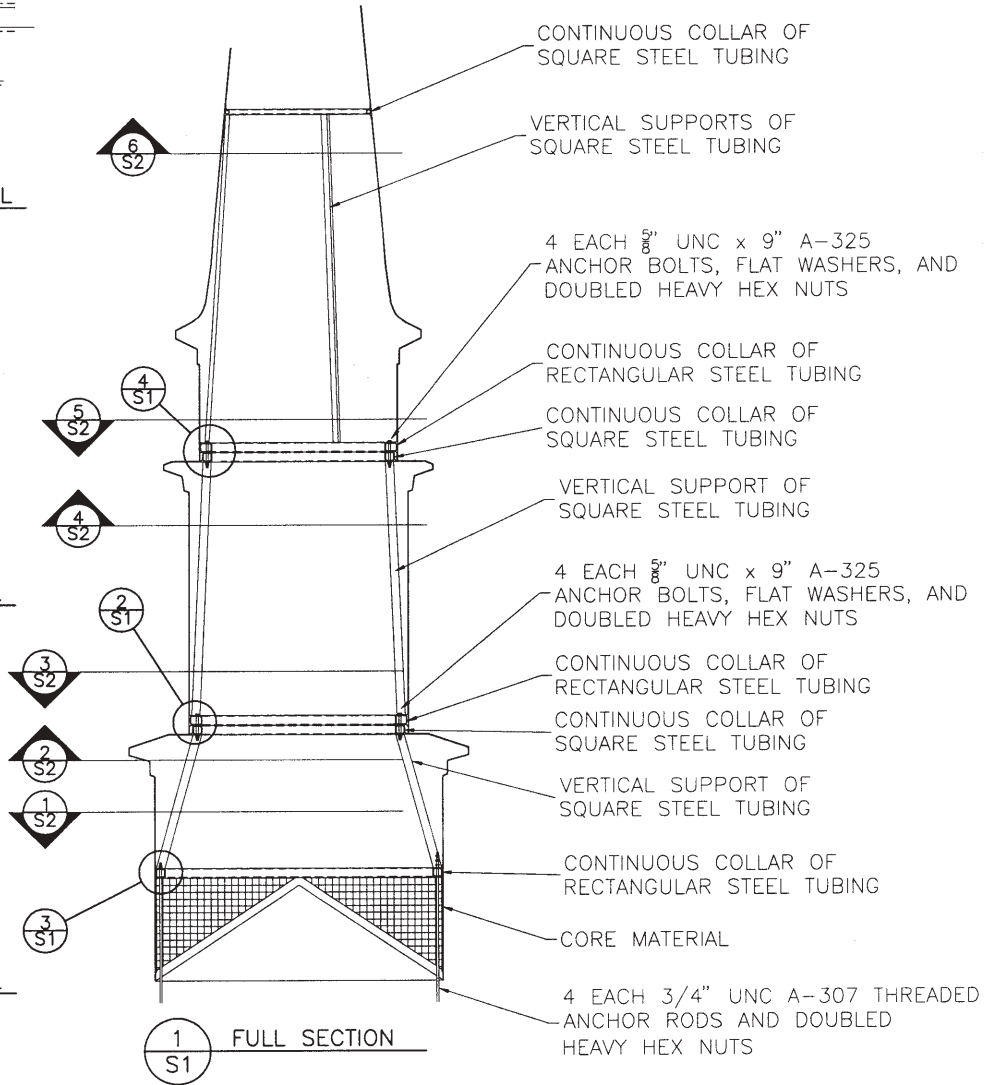
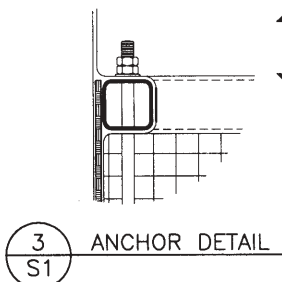
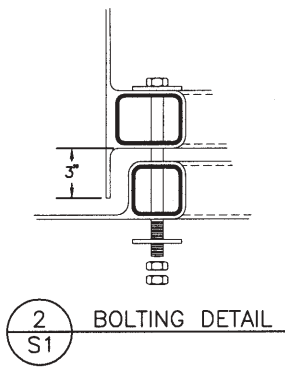
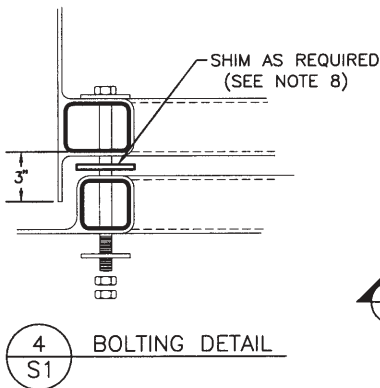
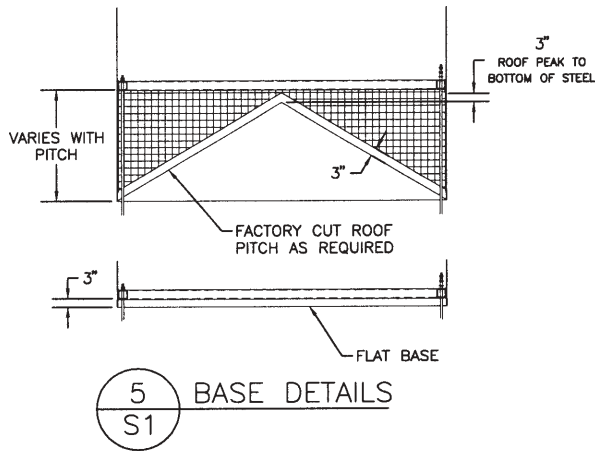
Dimensions and details are subject to change without notice. All cupola and steeple units are fabricated using minimal standing seams unless otherwise noted. All cupola and steeple units are designed to be erected on a completed roofing system and are not guaranteed to be leak proof.

1 ELEVATION
 E1

Steeple #12

figure - 2

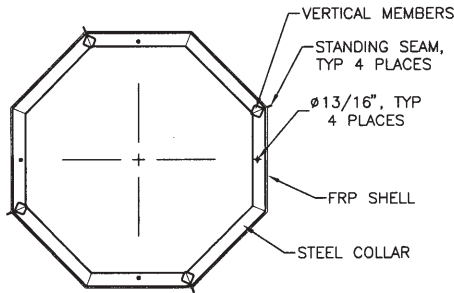
DESIGN PARAMETERS
 The unit described in these drawings is engineered to adequately support the loads created by a wind velocity of 120 MPH at a height of 50 feet above ground using ACSCE 7-95 exposure category "C". An additional 2 feet in height was added to the base during these calculations to account for variations in roof pitch, etc.



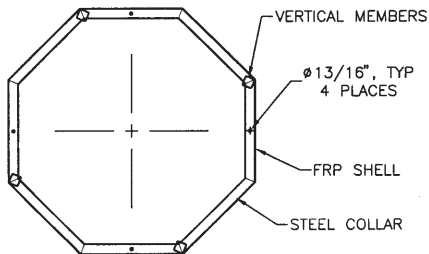
Steeple #12

figure - 3

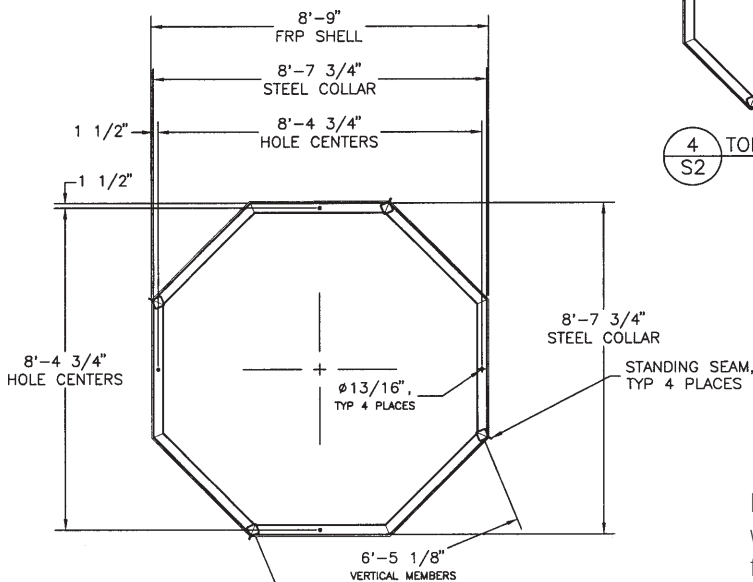
DESIGN PARAMETERS
 The unit described in these drawings is engineered to adequately support the loads created by a wind velocity of 120 MPH at a height of 50 feet above ground using ACSCE 7-95 exposure category "C". An additional 2 feet in height was added to the base during these calculations to account for variations in roof pitch, etc.



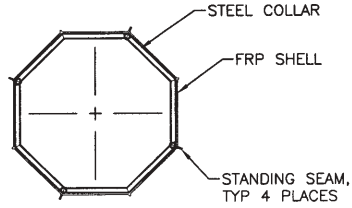
3 BASE OF CU-1050
S2



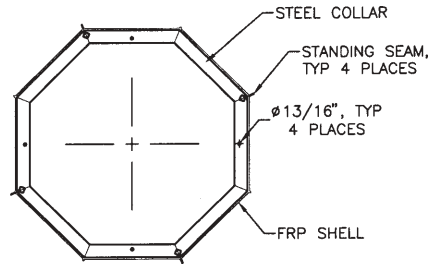
2 TOP OF CU-1075
S2



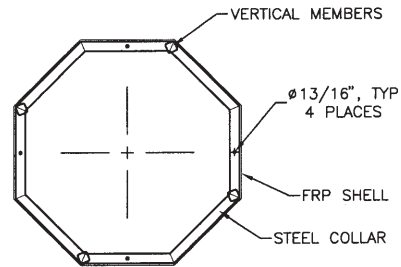
1 BASE OF CU-1075
S2



6 TOP OF SP-1032
S2



5 BASE OF SP-1032
S2



4 TOP OF CU-1050
S2

Dimensions and details are subject to change without notice. All cupola and steeple units are fabricated using minimal standing seams unless otherwise noted. All cupola and steeple units are designed to be erected on a completed roofing system and are not guaranteed to be leak proof.