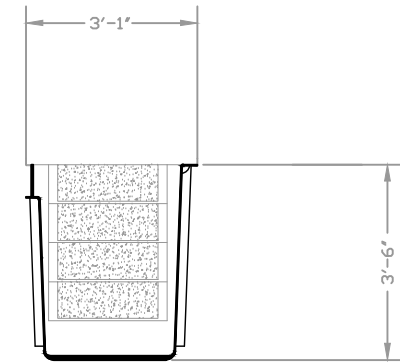
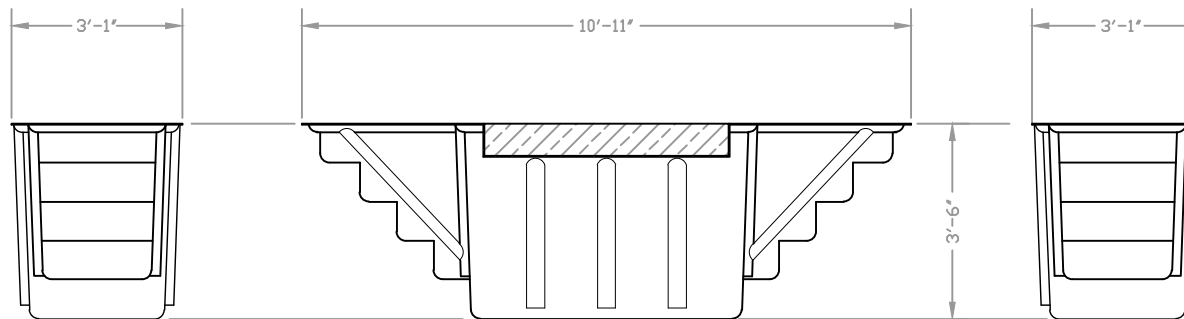


PLAN



TYP. SECTION



ELEVATIONS

LITTLE GIANT MANUFACTURING CO.
 105 DONNELL, PO BOX 518
 ORANGE, TX 77631
 1-800-231-6035
 www.little-giant.com

MODEL No.		G-2
DWG. No.	REV. No.	
3100112	0	