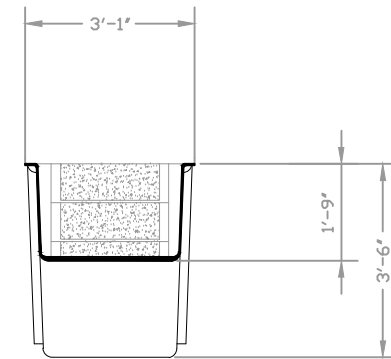
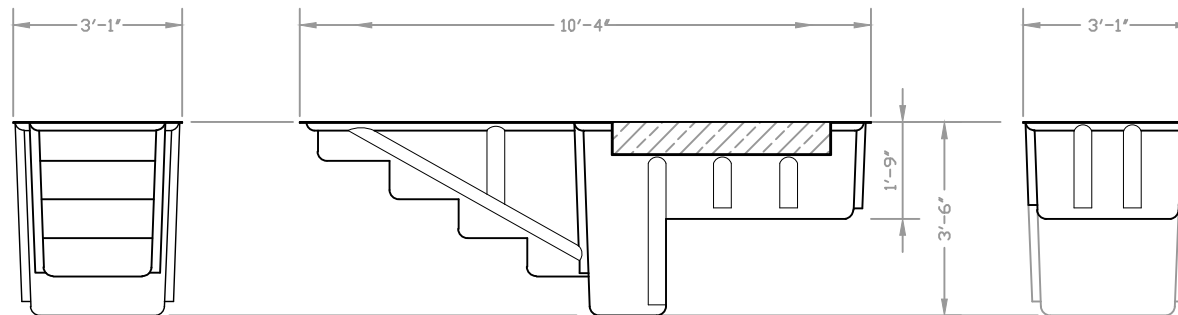


PLAN



TYP. SECTION



ELEVATIONS

LITTLE GIANT MANUFACTURING CO.  
 105 DONNELL, PO BOX 518  
 ORANGE, TX 77631  
 1-800-231-6035  
 www.little-giant.com

MODEL No.		<b>G-1 XL</b>
DWG. No.	REV. No.	
<b>3100111</b>	<b>0</b>	