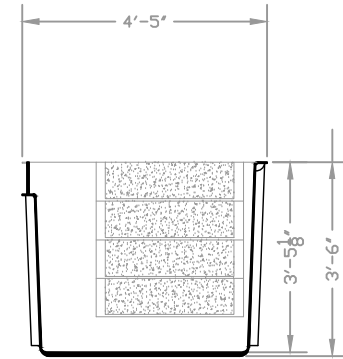
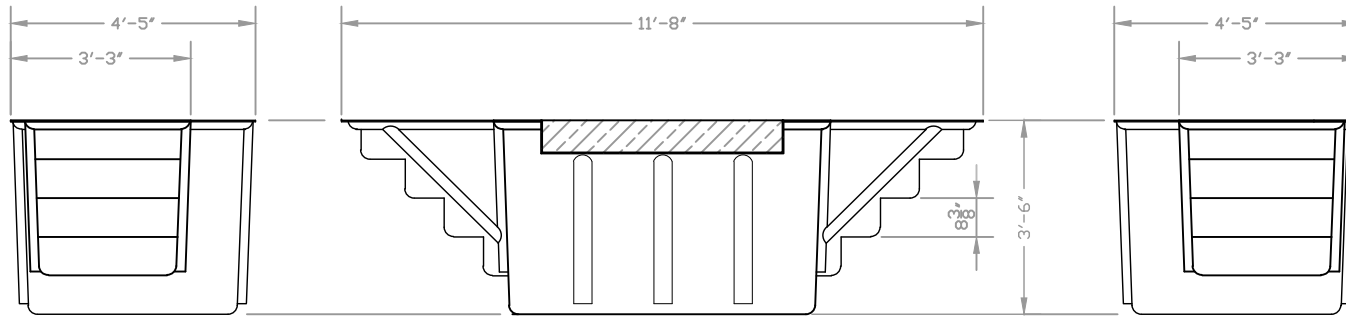


PLAN



TYP. SECTION



ELEVATIONS

LITTLE GIANT MANUFACTURING CO.
 105 DONNELL, PO BOX 518
 ORANGE, TX 77631
 1-800-231-6035
 www.little-giant.com

MODEL No. F-2

DWG. No. 3100109

REV. No. 0