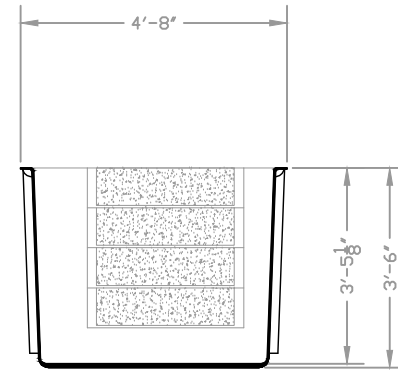
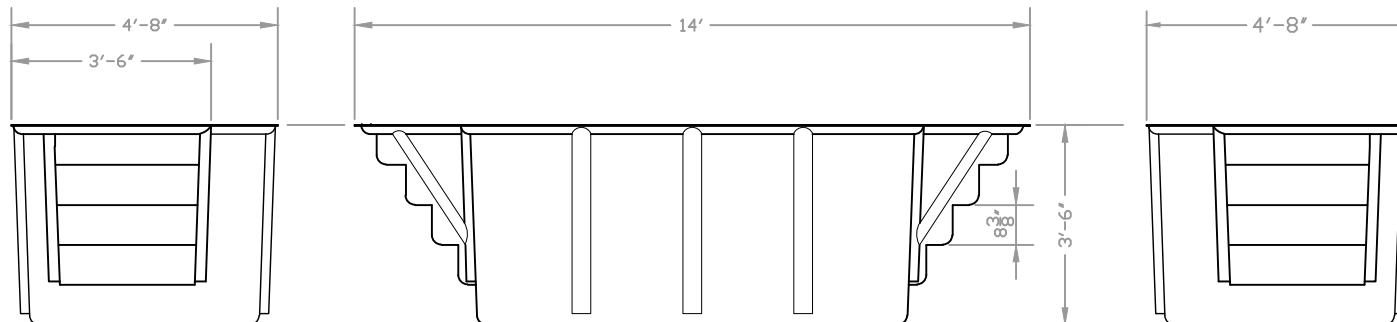


PLAN



TYP. SECTION



ELEVATIONS

LITTLE GIANT MANUFACTURING CO.  
 105 DONNELL, PO BOX 518  
 ORANGE, TX 77631  
 1-800-231-6035  
 www.little-giant.com

MODEL No.		<b>A-2</b>
DWG. No.	REV. No.	
3100104	0	